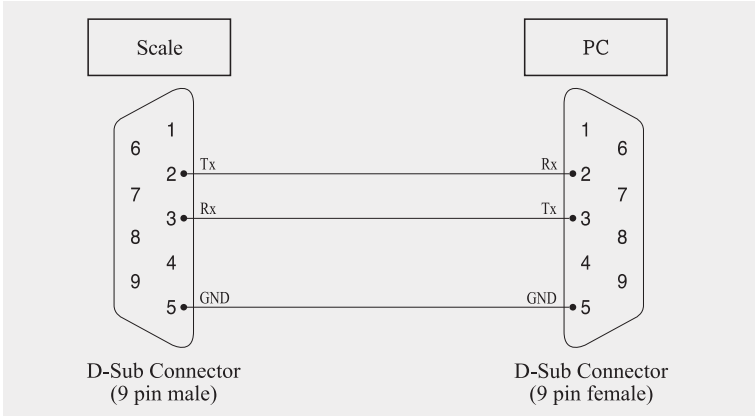


8. Interface in Detail

This function is helpful to understand RS-232C Communication user setting. The following is the communication information of RS-232C.

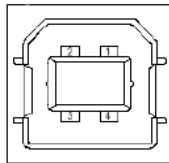
● RS-232C Port Connection



- ➔ 8-BIT ASCII code
- ➔ None parity
- ➔ 1 stop bit
- ➔ baud rate 9600

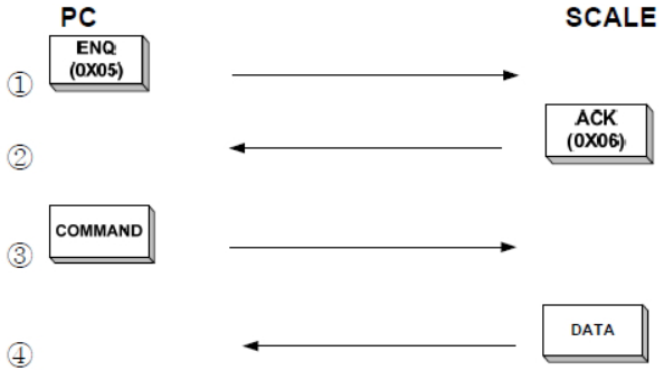
● USB INTERFACE(Device)

USB Type B Socket



- 1=Vbus (5V)
- 2=D-
- 3=D+
- 4=GND

● RS-232C Protocol



Transmission Data description

DATA	Value(HEX)	Description
SOH	01h	Start of heading
STX	02h	Start of text
STA	S(53h),U(55h)	S: Stable , U:Unstable
SIGN	-(2Dh),SP(20h)	Sign of the weight data
W5~W0		Weight data
UN1,UN2	KG,LB	Unit of Weight
BCC		Block check character exclusive or(^)
ETX	03h	End of text
EOT	04h	End of transmission

COMMAND : DC1(0x11) SCALE->PC DATA FORMAT

